

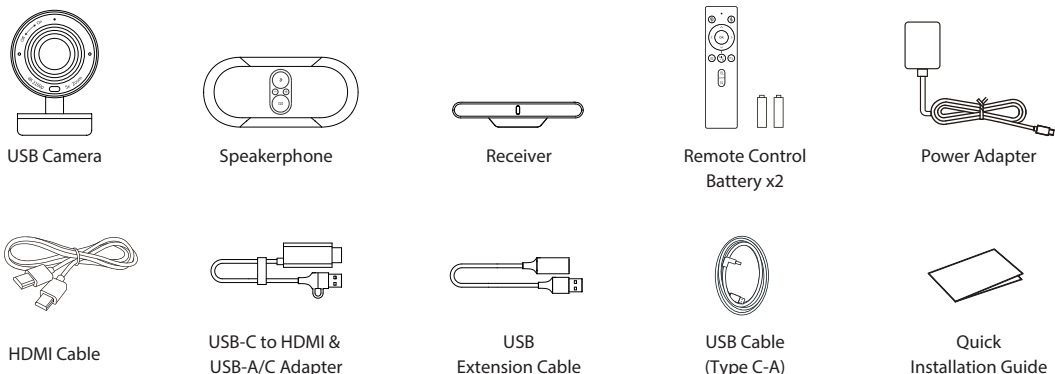
PRODUCT INTRODUCTION

It is a wireless video conferencing solution designed for small&medium meeting rooms. It mainly consists of a wireless screen-sharing speakerphone MS10, a receiver hub RC10 and a 4K UHD camera CM70, designed to simplify your meetings. With full BYOD support, it allows you to effortlessly connect your laptop to the speakerphone using a single cable.

Enjoy 4K wireless screen-sharing, access to conference camera streaming in 1080p, and the convenience of plug-and-play functionality without the need for software or drivers.

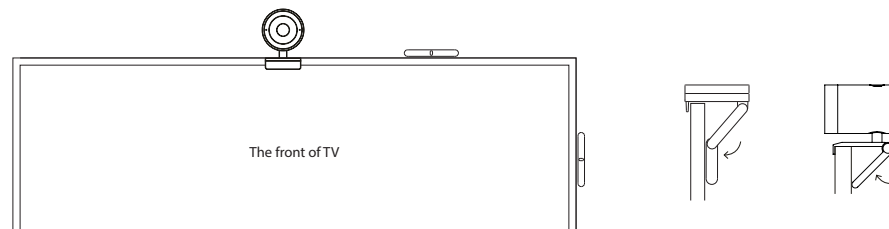
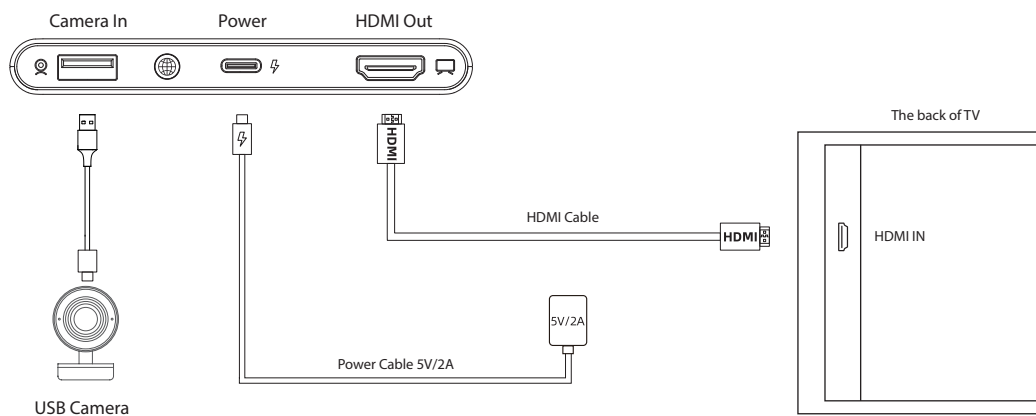
It streamlines your conferencing experience, eliminates cable clutter, and ensures secure and efficient collaboration.

IN THE BOX



HOW TO START

- (1) Plug the 5V/2A power supply into the receiver and connect it to the HDMI cable of the display.
- (2) To connect the USB camera, plug the camera's USB cable into the USB-A port on the receiver.
- (3) Mount the receiver and USB camera on the display using the built-in mounting clip. Ensure that the receiver is positioned towards the front side for optimal wireless signal transmission. The optimal wireless transmission range is within 5 meters.



- (4) Switch the display output source to the connected HDMI port.



- (5) Connect the speakerphone to a full-featured Type-C port on your laptop. Wait until the screen-sharing button light turns green, then press the button to start sharing your screen. Press the button again to end screen-sharing.

* In the case where the laptop's type C port does not meet the full feature requirement, use the USB-C to HDMI & USB-A/C adapter instead.

USB-C to HDMI & USB-A/C Adapter
HDMI + USB-A 3.0

* Use the USB extension cable if the laptop's USB 3.0 port is not nearby the HDMI port.

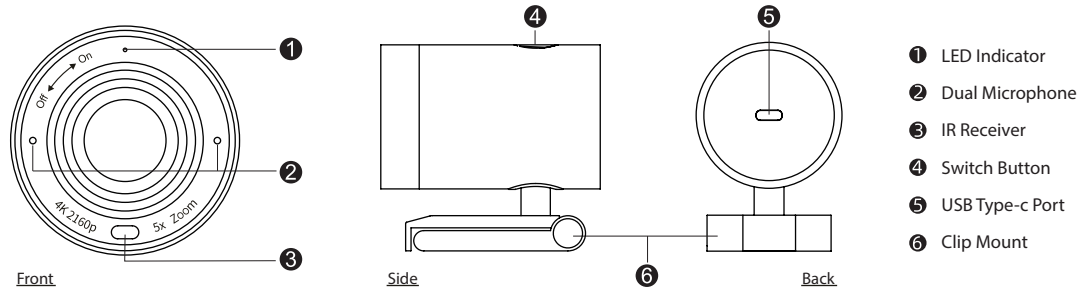
USB-C to HDMI & USB-A/C Adapter
+
USB Extension cable
HDMI + USB-A 3.0

- (6) To use the speakerphone and access the camera wirelessly, in your video conference software, select "CA400-CM70 Wireless Camera" as your microphone, speaker, and camera.

⚠ "CA400-CM70 Wireless Camera" option is only available in the camera device list when a camera is connected to the receiver.

HOW TO USE

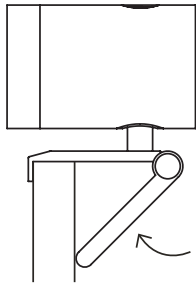
USB Camera



Getting Start With Our Camera

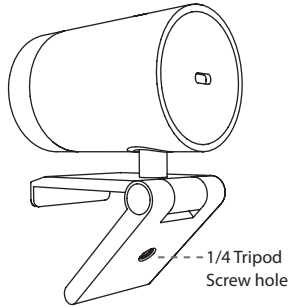
Clip Mount

Easily mount onto any displays such as laptop monitor, television or interactive display using its built-in clip mount.



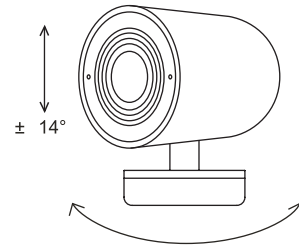
Tripod Mount

Tripod screw hole is located at the bottom of the clip mount for tripod mounting.

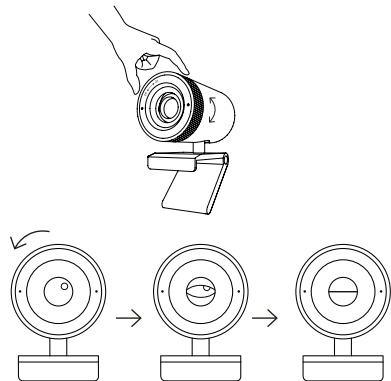


Swivel & Tilt

Manually adjust the webcam tilt up/down or swivel right/left to the best shooting angle.



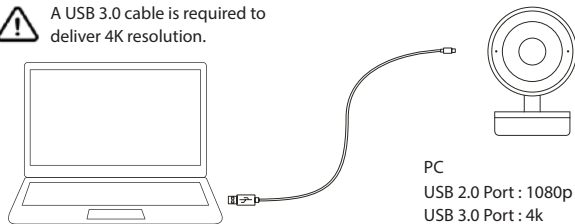
Privacy Cover



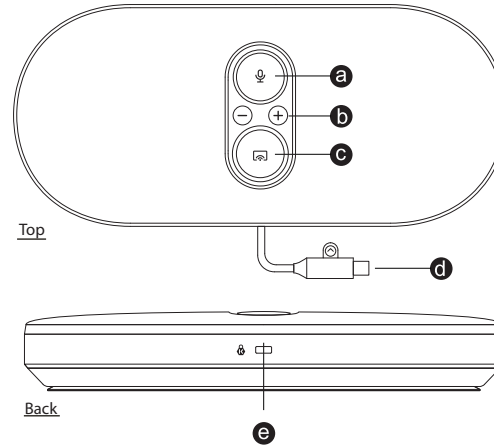
Connecting the camera

- Connect the type C end of the bundled USB cable to the Type C port at the back of the USB Camera.
- Connect the Type A end of the same cable to a laptop or workstation.
If connecting to USB 2.0 port of PC, the maximum available resolution will be 1080p.
If connecting to USB 3.0 port of PC, the maximum available resolution will be 4K.

A USB 3.0 cable is required to deliver 4K resolution.

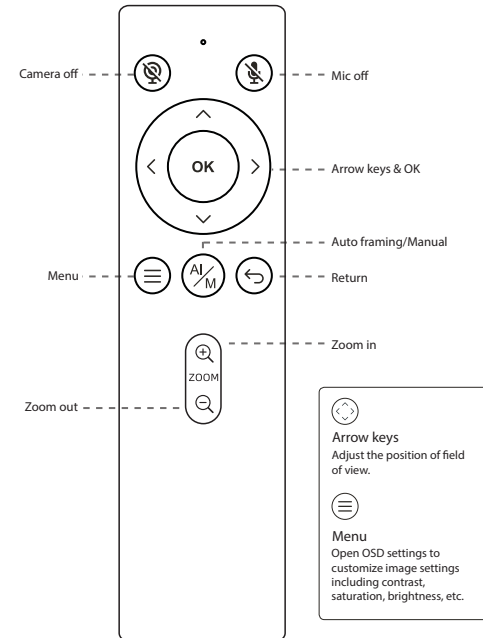


Speakerphone

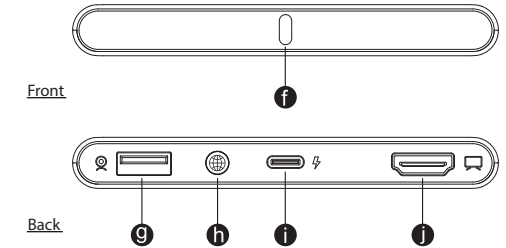


- a** Mic Mute
Green light : Mic On
Red light : Mic off
- b** Speaker Volume
- c** Screen-sharing
Press to start/end screen-sharing
- d** Type C cable to laptop
For power supply and signal transmission
- e** Kensington Nano Slot
- f** Status Indicator
- g** USB Interface for camera (5V/0.9A)
- h** Language / Pair
Short press : switch language
Long press : Re-pair
- i** Power Supply
- j** HDMI Out for display

Remote control



Receiver



Speakerphone LED Indicator Status

Flashing Green	Connecting in progress.
Static Green	Connection succeed, ready for screen-sharing.
Static Yellow	No DP signal from the laptop port.
Static Red	Connection failed: 1. Replug the speakerphone. 2. The receiver is not powered, please replug and ensure the receiver indicator light shows static white. 3. The receiver and speakerphone are not paired. Please ensure they are the original paired units. Otherwise please re-pair.

Receiver LED Indicator Status

Flashing Green	Connecting in progress.
Static Green	Connection succeed, ready for screen-sharing.
Static White	Stand by.

Camera LED Indicator Status

Event	Camera response	LED Status
Plug-in power	/	Red light & orange light flashing
Camera is in use	/	Green light
Camera is not in use	/	Red light
Single press the switch button	Switch to 1x → 2x → 3x → 4x → 5x → auto framing by each press	Red light blink
Long press (>2 sec) the function button	Enter / Exit auto framing mode	Red light blink
Long press (>5 sec) the function button	Reboot the CM70	Red light blink
Use remote and turn off camera	Camera is off, pop up a black image with camera of icon	Red light blink
Use remote and turn off mic	Mic is mute, mute icon pop up	Orange light blink
Use remote and turn off both mic and camera	Mic is mute and camera is off, pop up a black image with mic of icon and camera of icon	Red light & orange light blink alternately

REGULATORY AND SERVICE INFORMATION

The products documented in this guide include aspects which are protected under their respective patent, copyright, design copyright, registered design and trademark laws. All other trademarks remain the property of their respective owners. This guide is distributed online. It may only be reproduced for use within the institution in which the product is used. For use outside of your institution, no part of this guide may be reproduced, transmitted, stored in a retrieval system or translated into any other language without the prior permission of our company. Please note that the content in this guide is protected under copyright law. Although every care has been taken in the compilation of this guide, our company accepts no responsibility for errors or omissions, or for damages resulting from the use of information contained within this guide.

Compliance

United States of America

Any Changes or modifications not expressly approved by the party responsible for compliance could void the user's authority to operate the equipment.

This device complies with part 15 of the FCC Rules. Operation is subject to the following two conditions:

- (1) This device may not cause harmful interference, and
- (2) this device must accept any interference received, including interference that may cause undesired operation.

Note: This equipment has been tested and found to comply with the limits for a Class B digital device, pursuant to part 15 of the FCC Rules. These limits are designed to provide reasonable protection against harmful interference in a residential installation. This equipment generates, uses and can radiate radio frequency energy and, if not installed and used in accordance with the instructions, may cause harmful interference to radio communications. However, there is no guarantee that interference will not occur in a particular installation. If this equipment does cause harmful interference to radio or television reception, which can be determined by turning the equipment off and on, the user is encouraged to try to correct the interference by one or more of the following measures:

- Reorient or relocate the receiving antenna.
- Increase the separation between the equipment and receiver.
- Connect the equipment into an outlet on a circuit different from that to which the receiver is connected.
- Consult the dealer or an experienced radio/TV technician for help.



These devices comply with RF specifications when the device is used at 20 cm from your body

AT	BE	BG	CZ	DK	EE	FR	DE
IS	IE	IT	EL	ES	CY	LV	LI
LT	LU	HU	MT	NL	NO	PL	PT
RO	SI	SK	TR	FI	SE	CH	UK
IE	HR						

This device is restricted to indoor use when operating in the 5150-5350MHz frequency range in all EU/EFTA member states and Turkey.



Vous êtes responsable de remettre tous les appareils électriques et électroniques usagés à des points de collecte correspondants.

Pour en savoir plus:
www.quefairedelesechets.fr

FR



Waste Electrical and Electronic Equipment (WEEE)

For more information concerning the correct disposal of these products, please contact your reseller.