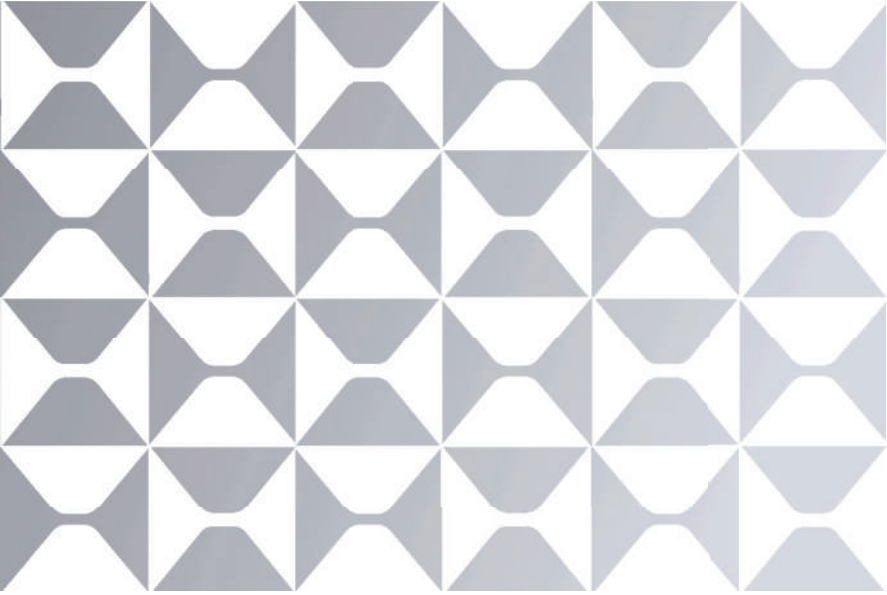


MAXHUB Portable Capture Host

Model: CSP50



Quick Start Guide

V1.0

MAXHUB

Table of Contents

I. Package Contents	02
II. Product Introduction	03
III. Installation	04
IV. Connection.....	06
V. Basic Operation	06
VI. Simple Troubleshooting	07

Safety Instructions

Before operating this device, read and follow the instructions carefully to avoid dangerous or illegal operations.

1. Operating Environment

- Do not use the device in damp or humid locations to avoid internal circuit damage.
- Avoid hot environments or areas with direct sunlight.
- Optimal temperature range for use: 0-40°C, humidity range: 10%-90% RH.

2. Child Safety

The device and its parts may include small components. Keep them out of reach of children to prevent accidents.

3. Power

Please use the power adapter included with this product.

4. Water Protection

This device is not waterproof. Keep the equipment dry.

5. Maintenance

- All maintenance should be carried out by qualified personnel.
- When there is damage to the equipment, do not privately dismantle the machine for maintenance. Please call customer service to report repair.
- Avoid inserting objects into any of the ports to prevent damage.
- Do not drop or subject it to strong impacts or vibrations to avoid product damage.

Special Statements

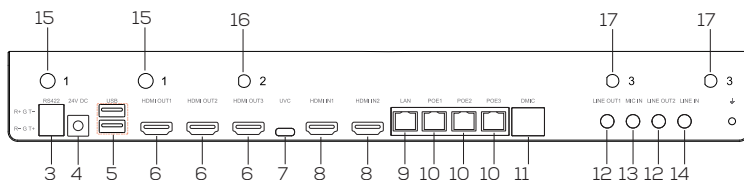
- Intellectual Property Rights: The hardware design and software of this product are protected by copyright law. Unauthorized copying of the manual or any part of the product will subject violators to legal consequences.
- This manual is for reference only. The final actual functions are subject to the functions of the product ordered and received by the customer.
- The images are for reference only. Please refer to the actual product. Our company reserves the right to improve and change the product's appearance and design without prior notice.

I. Package Contents

Please check the following contents included in the package:

1. CSP50 Portable Capture Host × 1
2. Power Adapter × 1
3. Power Cable × 1
4. Phoenix Connector × 2
5. Antenna Adapter Cable × 1
6. External Antenna × 5
7. Quick Start Guide × 1

II. Product Introduction



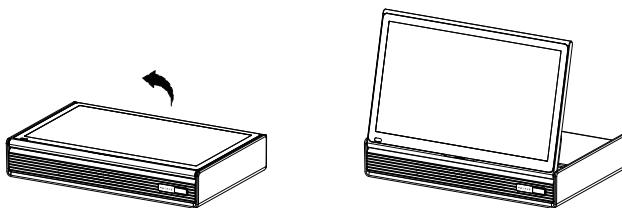
No.	Item	No.	Item
1	Touchscreen	10	POE 1/2/3 Interface
2	Power Button	11	DMIC Interface
3	RS422 Interface	12	LINE OUT1/2 Interface
4	DC IN Interface	13	MIC IN Interface
5	USB Interface	14	LINE IN Interface
6	HDMI OUT Interface	15	Antenna Interface: White, for wireless video transmission
7	UVC Interface	16	Antenna Interface: Gray, for connecting wireless microphones
8	HDMI IN Interface	17	Antenna Interface: Beige, for WiFi
9	LAN Interface		

NOTE

When installing the antennas, make sure to match the color of the connector at the base of the antenna with the color of the silkscreen on the antenna interface of the device.

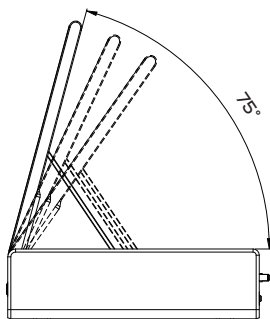
III. Installation

The CSP50 Portable Capture Host can be opened upwards according to actual needs and supported at three usage angles: 55°, 65°, and 75°.



Closed State

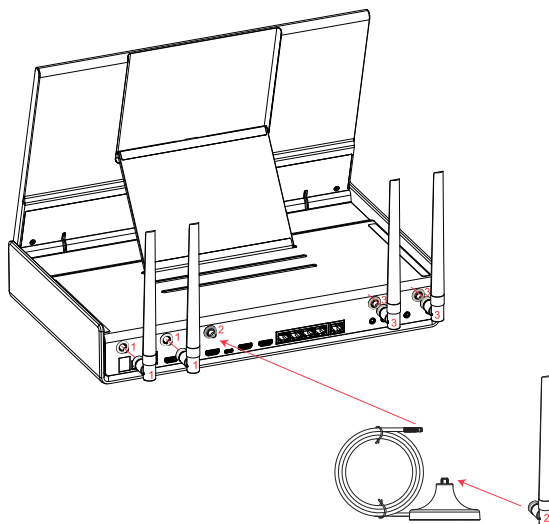
Open State



(Adjustable: 55° / 65° / 75°)

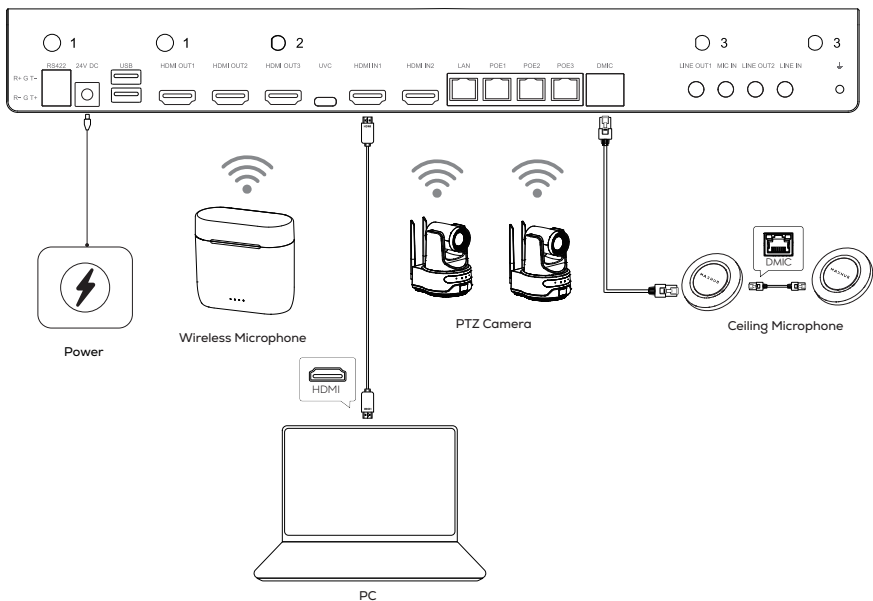
When installing the antenna, please pay attention to the following:

- Ensure that the color of the connector at the base of the antenna matches the color of the silkscreen on the antenna installation port of the device.
- Ensure that the number on the connector at the base of the antenna matches the number on the silkscreen at the antenna installation port of the device.



IV. Connection

Please connect the device as shown below before use:



V. Basic Operation

1. In the power-on state, press the **Power** button briefly. The screen will turn off, and the LED indicator will blink red and blue. Press the **Power** button briefly again, the screen will turn on and the LED indicator will stay solid blue.
2. Press and hold the **Power** button until "**Are you sure you want to turn off the capture host?**" appears. Then click "**Shut down**", the system will shut down and enter standby mode.

VI. Simple Troubleshooting

- **No Video Input/Output**

Solutions:

- a. Check if the HDMI cable is properly connected.
- b. Re-plug the cable and check if they are normal.
- c. Restart the device and check if it's normal.

- **No Sound When Using LINE IN/ LINE OUT/ Recording**

Solutions:

- a. Go to **Menu - Settings - Advanced Settings**, enter the **Initial Code (000000)**, and check the **Volume Settings** if they are normal.
- b. Check if the device connection is normal.
- c. Restart the device and check if it's normal.

